

# QUAYSIDE BOLLARD

MATERIAL - CAST IRON. WEIGHT 36 KG

ALUMINIUM WEIGHT 12 KG

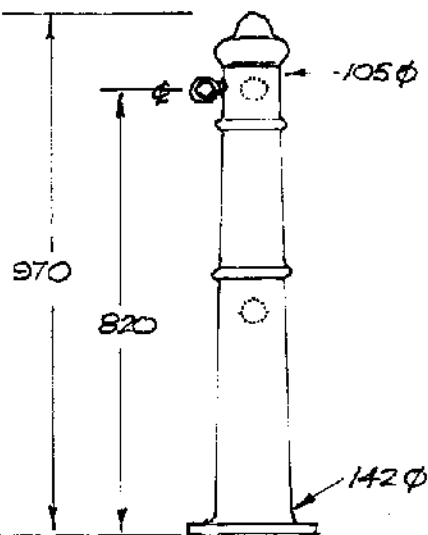
SURFACE TREATMENT - AS ABOVE

## OPTIONS

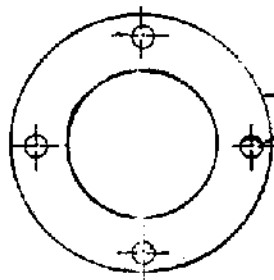
CAST IRON - EYE BOLTS FOR CHAIN OR ROPE BARRIER (38 I.D.)

ALUMINIUM - EYE BOLTS FOR CHAIN OR ROPE BARRIER (38 I.D.)

" DRILLED HOLES FOR PIPE RAILING PENETRATION  
MAX 52  $\phi$



SCALE 1:10 ON A3



$230 \phi$  BASE WITH  
4x  $14 \phi$  FIXING HOLES  
ON 192 PCD

SCALE 1:5 ON A3

PLAN AT BASE