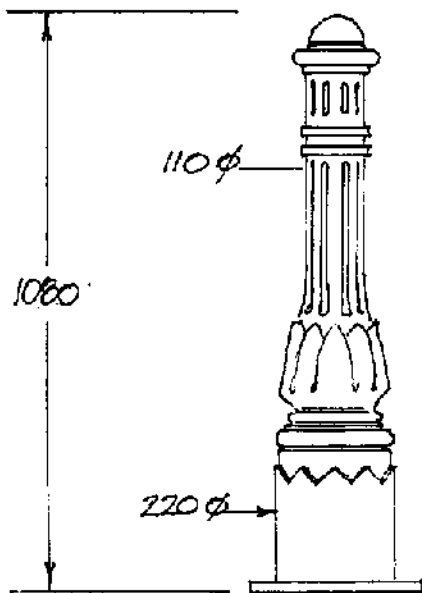


PORTLAND BOLLARD



MATERIAL—  
CAST IRON OR  
CAST ALUMINIUM

