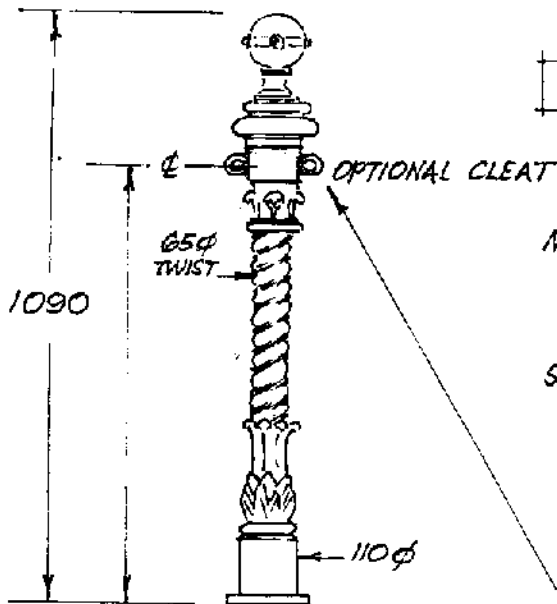


# HERITAGE BOLLARD



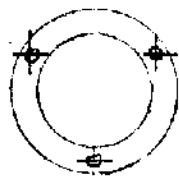
MATERIAL - CAST IRON WEIGHT 37 KG  
ALUMINIUM WEIGHT 12.5 KG

SURFACE TREATMENT - CAST IRON - SHOT BLAST  
& ZINC RICH PRIMER UNDERCOAT.

ALUMINIUM - AS CAST  
FOR PAINTING BY OTHERS  
OR POLYESTER POWDERCOAT

OPTIONAL CLEATS OR EYEBOLTS  
FOR CHAIN OR ROPE BARRIER.

NOMINATE CLEAT QUANTITY, ALIGNMENTS  
& LOOP SIZE WHEN ORDERING



150 $\phi$  BASE WITH  
3x14 $\phi$  FIXING HOLES  
ON PCD

PLAN AT BASE  
SCALE 1:5 ON A3

SCALE 1:10 ON A3