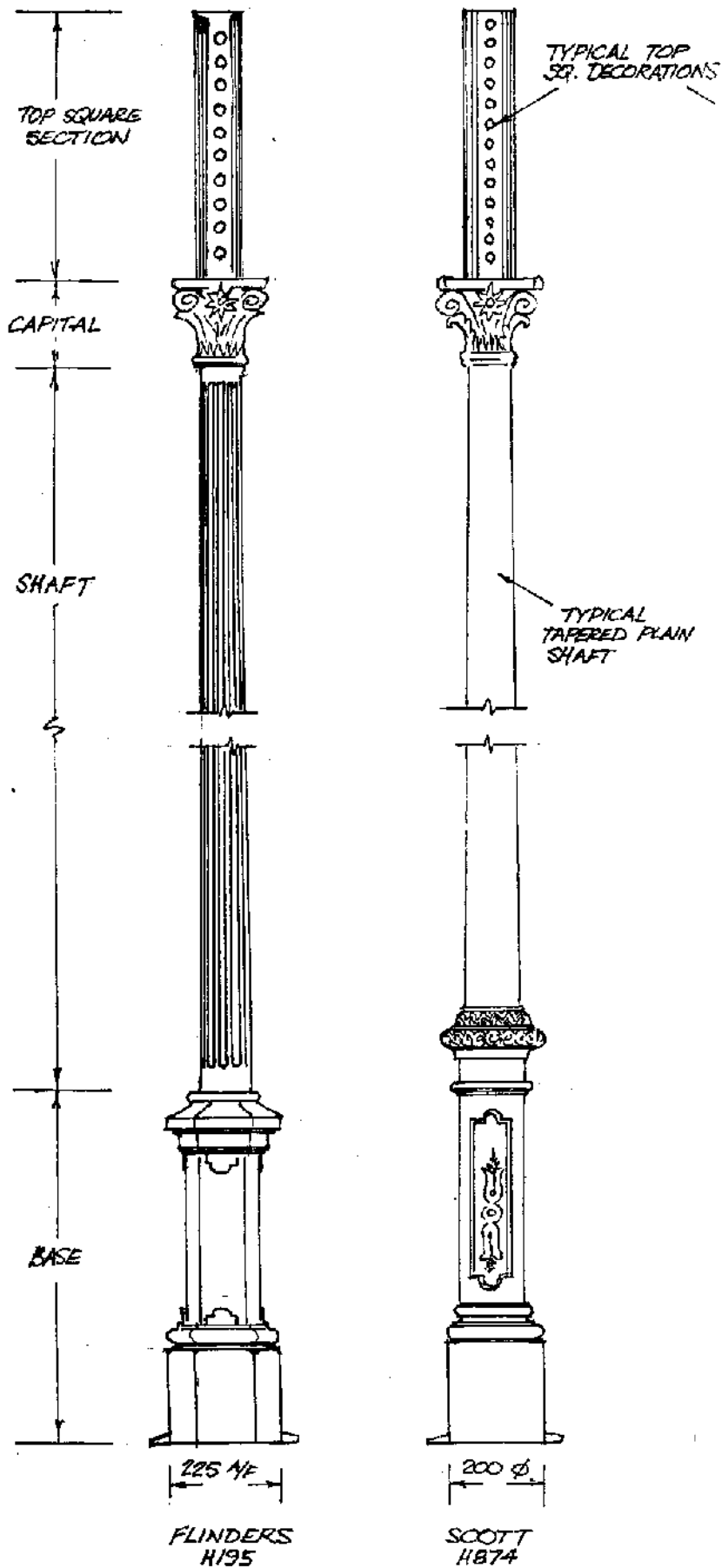


N.B.
 COLUMN COMPONENTS ARE INTERCHANGABLE
 & VARIABLE IN LENGTHS TO SUIT PROJECT NEEDS,
 OR TO MATCH EXISTING COLUMNS FOR
 BUILDING REPAIRS OR EXTENSION



SCALE 1:10 ON A3

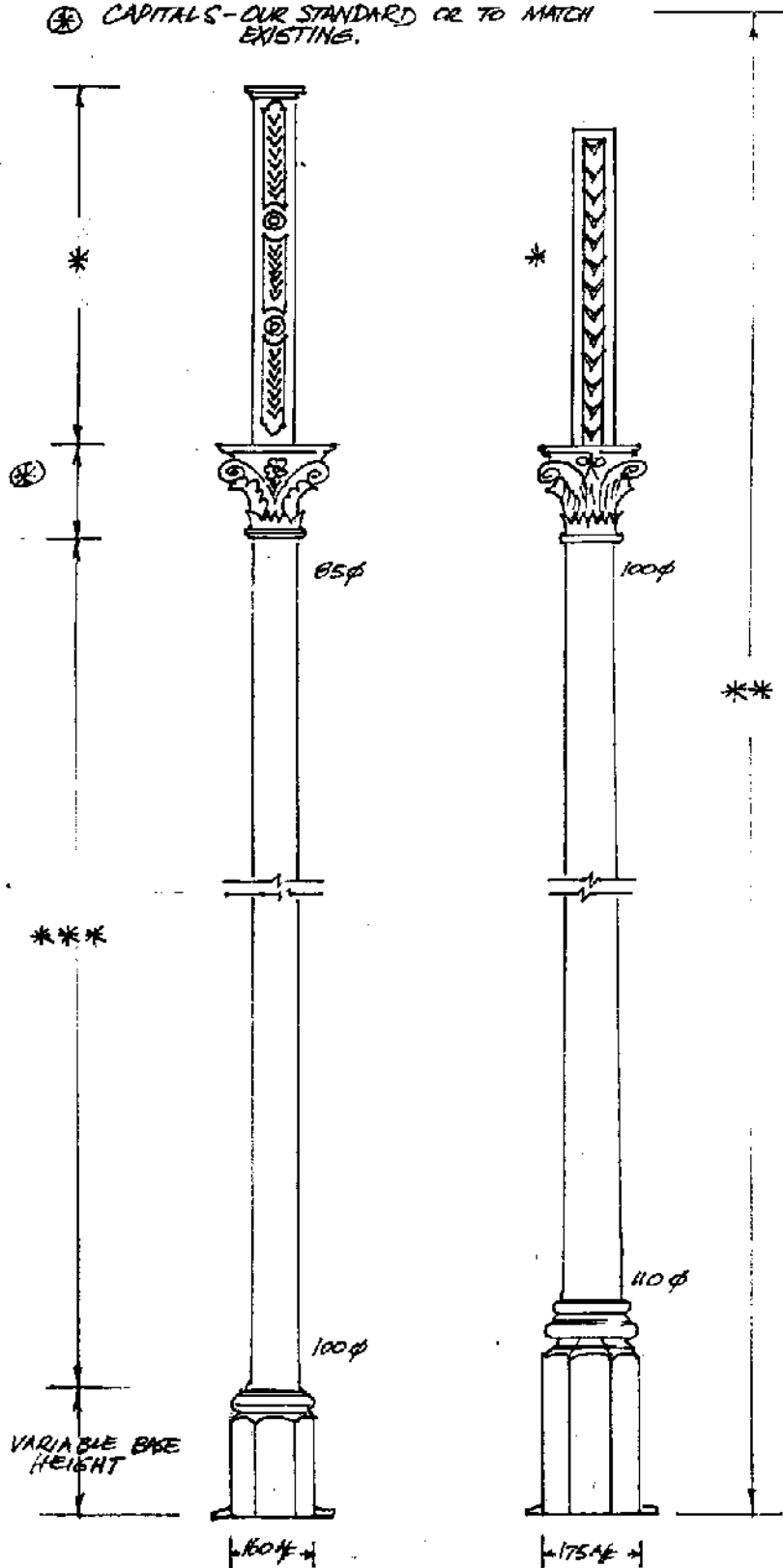
- BASE FIXING • CAST LUGS AS SHOWN
 • CONCEALED FIXING AT FLOOR LEVEL
 • CONCEALED FIXING BELOW FLOOR LEVEL
 (ALUM. ONLY)

* TOP SQ SECTIONS OF LENGTH, SHAPE & DECORATION TO JOB REQUIREMENT OR MODIFIED TO MATCH EXISTING.

** OVERALL SIZES VARIABLE TO EACH PROJECT'S REQUIREMENTS.

*** SHAFTS ϕ , TAPER, PLAIN OR FLUTED AS REQUIRED

⊗ CAPITALS - OUR STANDARD OR TO MATCH EXISTING.



PINEHILL
#193

PICCADILLY

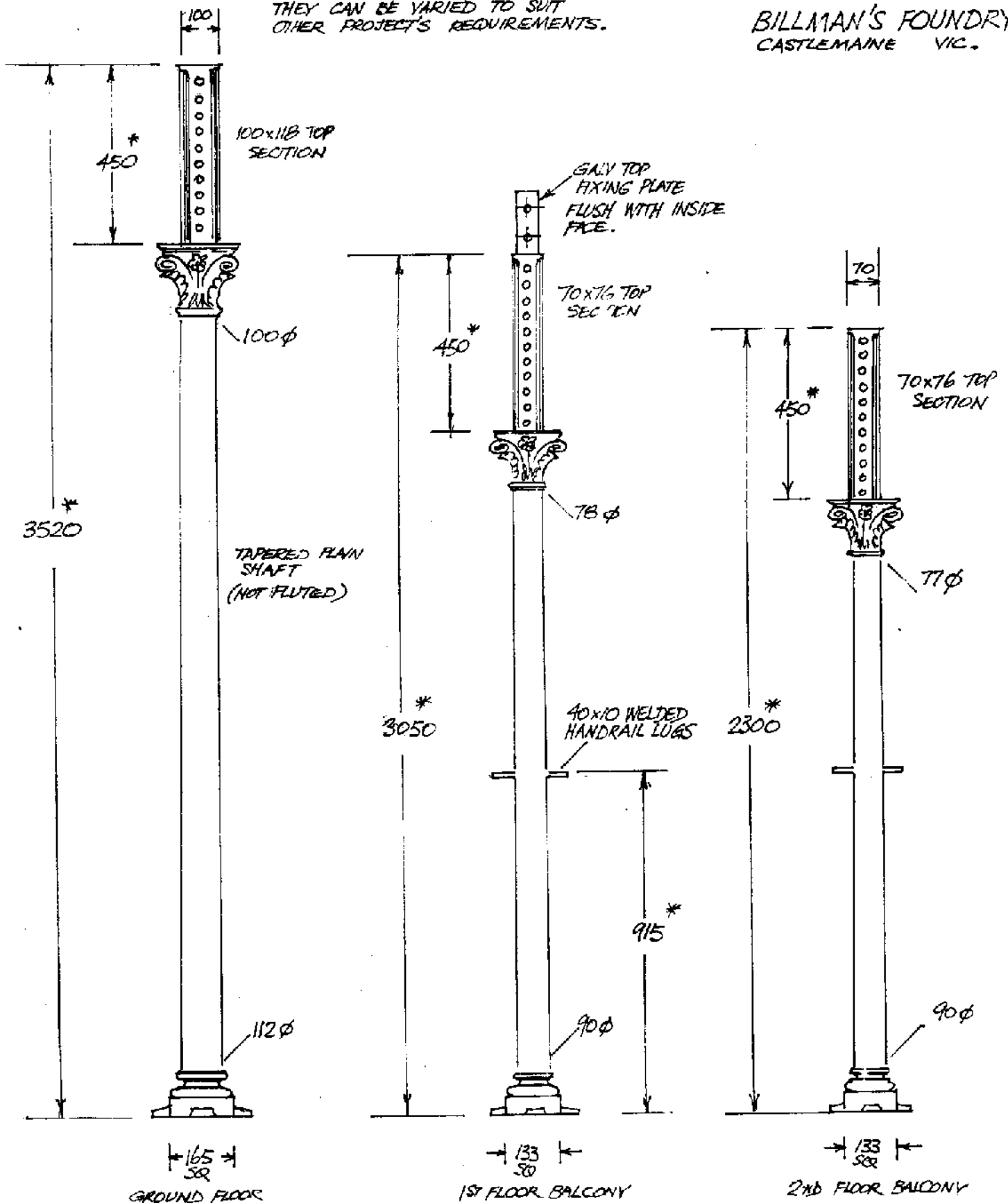
BASE FIXING • CAST LUGS AS SHOWN
• CONCEALED FIXING AT FLOOR LEVEL
• CONCEALED FIXING BELOW FLOOR LEVEL - ALUM. ONLY

SCALE 1:10 ON A3

* SIZES SHOWN INDICATE EXISTING PATTERN BOARD CONFIGERATIONS.

THEY CAN BE VARIED TO SUIT OTHER PROJECT'S REQUIREMENTS.

BILLMAN'S FOUNDRY
CASTLEMAINE VIC.



THE MARINES COLUMNS

MAC FARLANE #130

MATERIAL - CAST IRON
OR CAST ALUMINIUM

BILLMAN'S FOUNDRY
CASTLEMAINE VIC.

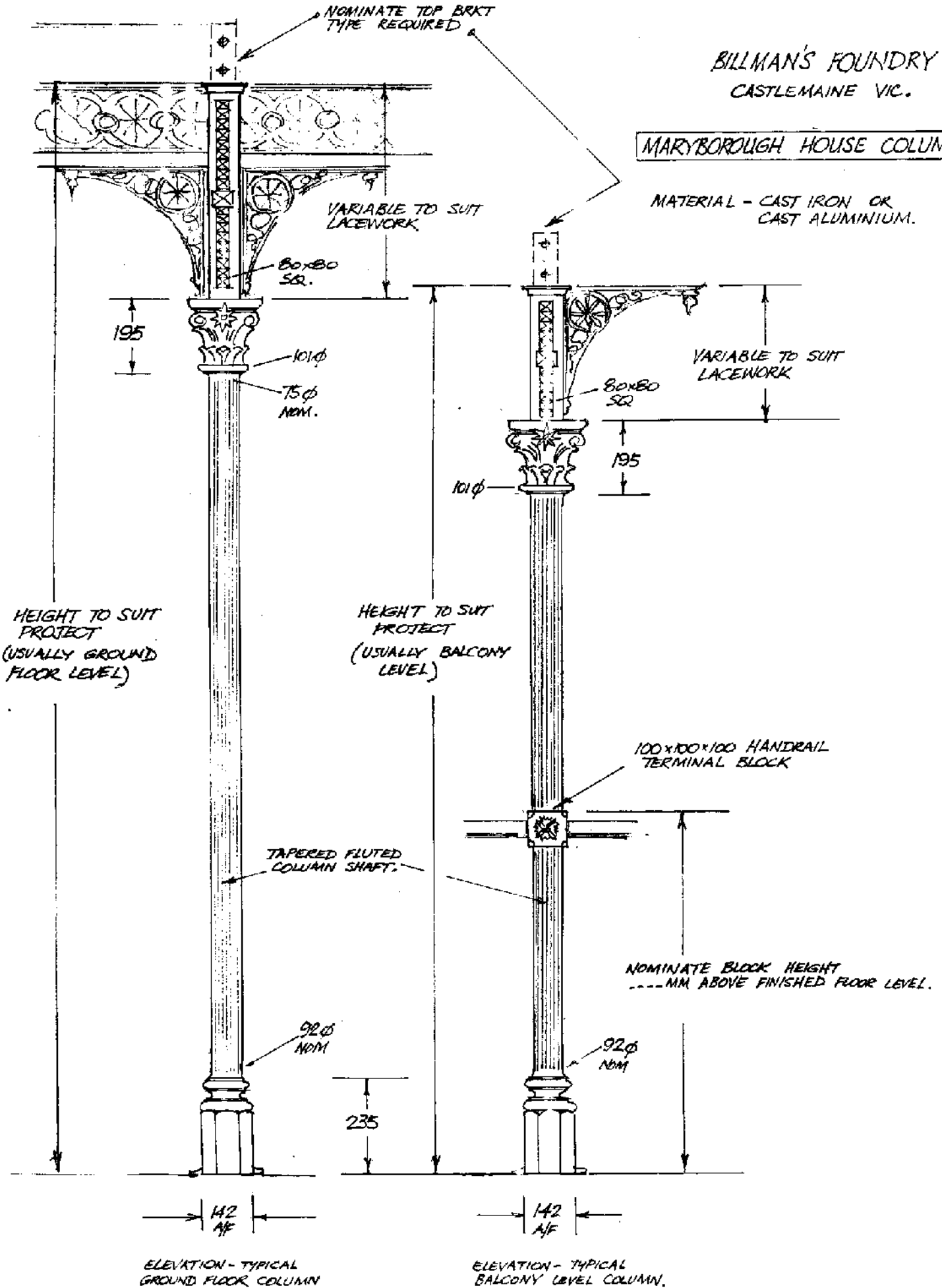
MARYBOROUGH HOUSE COLUMN

MATERIAL - CAST IRON OR
CAST ALUMINIUM.

NOMINATE TOP BRKT
TYPE REQUIRED

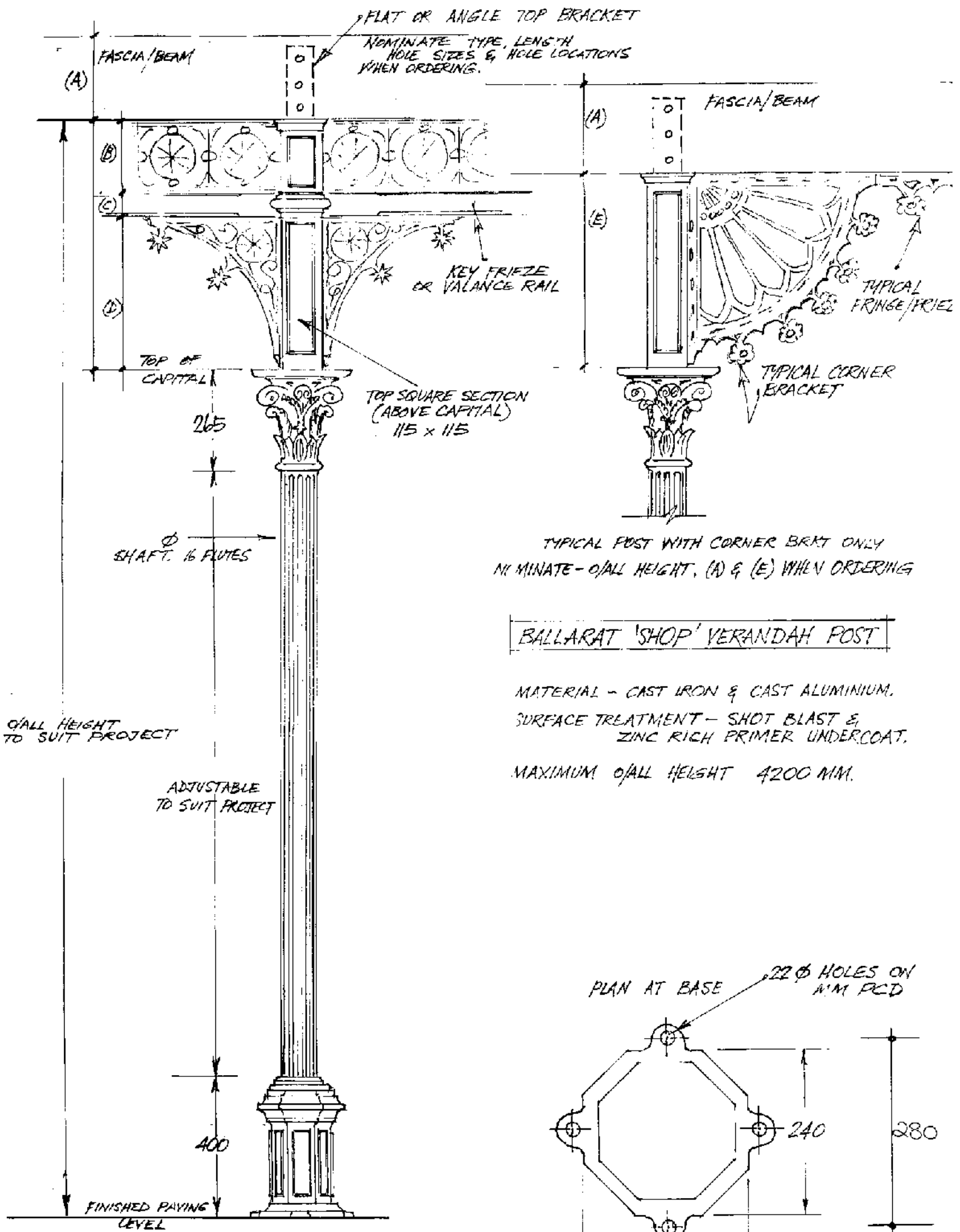
VARIABLE TO SUIT
LACEWORK

VARIABLE TO SUIT
LACEWORK



SCALE 1:10 ON A3.

GP 12/9/04



TYPICAL POST WITH CORNER BRKT ONLY
 NOMINATE - O'ALL HEIGHT, (A) & (E) WHEN ORDERING

BALLARAT 'SHOP' VERANDAH POST

MATERIAL - CAST IRON & CAST ALUMINIUM.
 SURFACE TREATMENT - SHOT BLAST &
 ZINC RICH PRIMER UNDERCOAT.

MAXIMUM O'ALL HEIGHT 4200 MM.

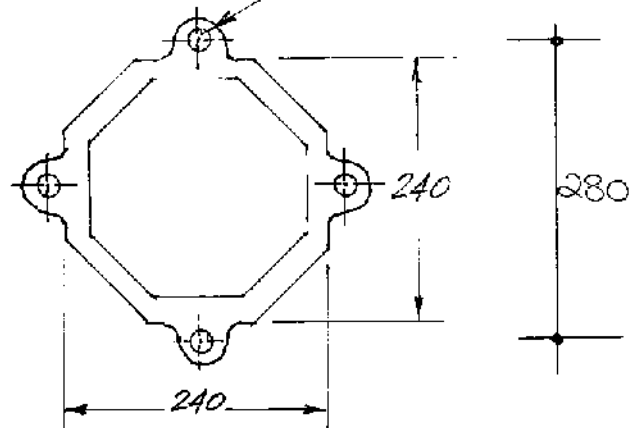
O'ALL HEIGHT
 TO SUIT PROJECT

ADJUSTABLE
 TO SUIT PROJECT

400

FINISHED PAVING
 LEVEL

PLAN AT BASE 22 Ø HOLES ON
 N/M PCD



SCALE 1:10 ON A3
 TYPICAL POST WITH CORNER & KEY FRIEZE
 NOMINATE - O'ALL HEIGHT, (A), (B), (C) & (D) WHEN ORDERING

SCALE 1:5 ON A3

280

FLAT OR ANGLE TOP BRACKET
FOR FIXING TO BEAM OR FASCIA
APPROPRIATE TYPE, LENGTH
HOLE ϕ & HOLE LOCATIONS
WHEN ORDERING.

VARIABLE TO SUIT
SELECTED LACEWORK

100x100 TOP
SQUARE

ADELAIDE VERANDAH POST

MATERIAL - CAST IRON OR CAST ALUMINIUM

SURFACE TREATMENT - CAST IRON - SHOT BLAST
& ZINC RICH PRIMER UNDER COAT.

CAST ALUMINIUM - AS CAST
FOR PAINTING BY OTHERS

STD - 200 OR
VARIABLE TO
MATCH EXISTING

CAPITAL

110 ϕ

FLUTED OR FLAIN
TAPERED SHAFT.
LENGTH TO SUIT
PROJECT REQUIREMENT

3800 MAX

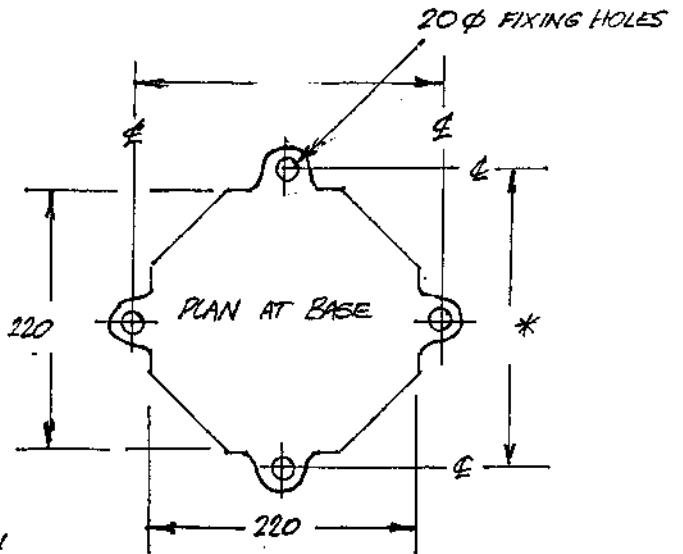
128 ϕ

BASE FIXING: AS M.S. BASEPLATE WELDED
TO CORE PIPE AS DETAILED ON ELEVATION
OR OPTION - AS LUGS CAST ON TO BASE
AS DETAILED BELOW.

VARIABLE
800 TO 1100
BOLLARD BASE

220 A/F

PAVING OR
ROOF LINE



76 ϕ HEAVY GALV.
CORE PIPE OPTION
TO ALUMINIUM ONLY

300x300x12 GALV BASE
PLATE WELDED TO CORE PIPE
4x 20 ϕ HOLES ON 250 PCD
OR PLATE & HOLES TO
ENGINEER'S REQUIREMENTS.

TO SUIT PROJECT

SCALE 1:10 ON A3

SCALE 1:5 ON A3