

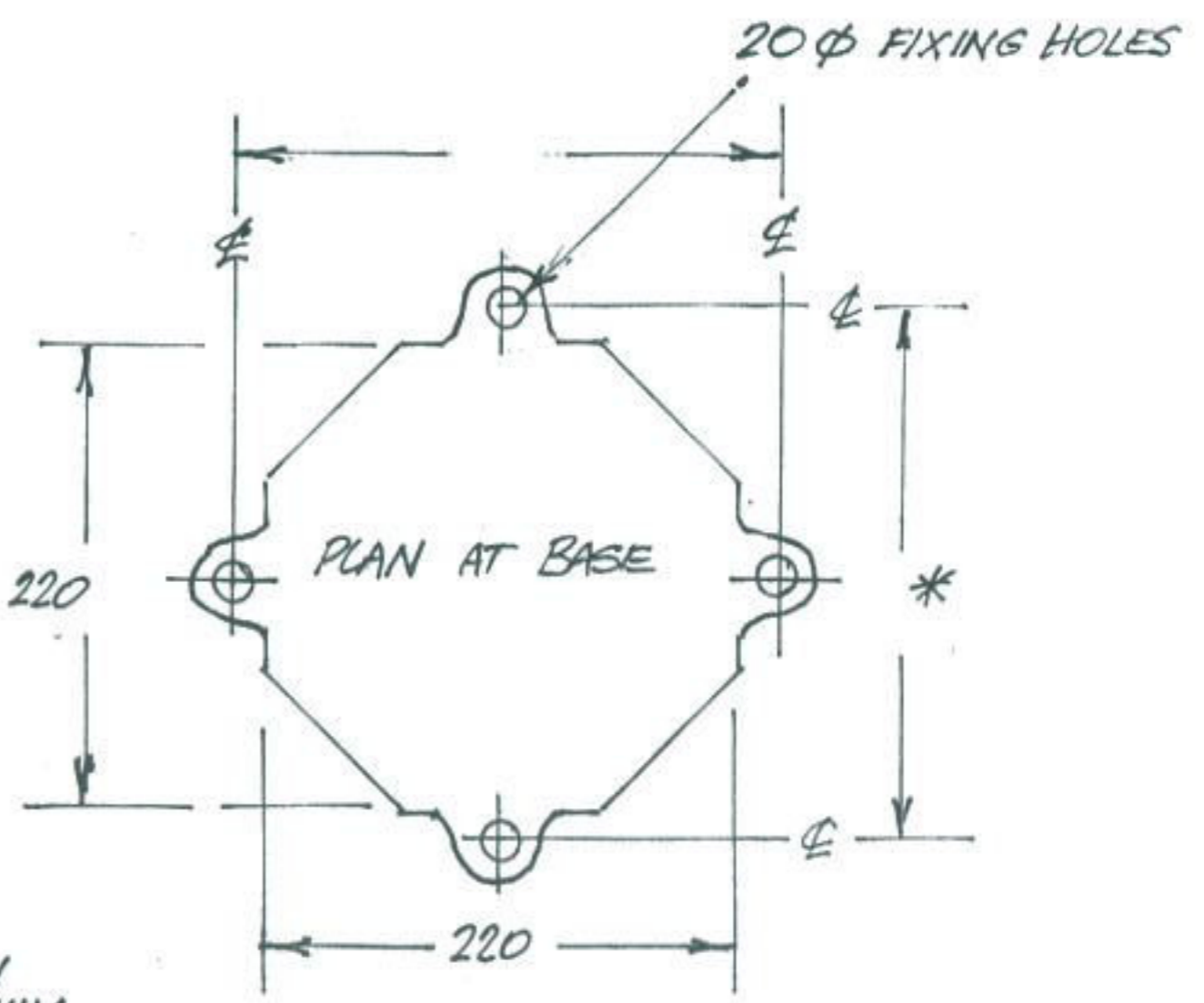
ADELAIDE VERANDAH POST

MATERIAL - CAST IRON OR CAST ALUMINIUM

SURFACE TREATMENT - CAST IRON - SHOT BLAST & ZINC RICH PRIMER UNDER COAT.

CAST ALUMINIUM - AS CAST FOR PAINTING BY OTHERS

BASE FIXING: AS M.S. BASE PLATE WELDED TO CORE PIPE AS DETAILED ON ELEVATION OR OPTION - AS LUGS CAST ON TO BASE AS DETAILED BELOW.



SCALE 1:10 ON A3

300x300x12 GALV BASE PLATE WELDED TO CORE PIPE 4x 20 ϕ HOLES ON 250 PCD OR PLATE & HOLES TO ENGINEER'S REQUIREMENTS.

SCALE 1:5 ON A3