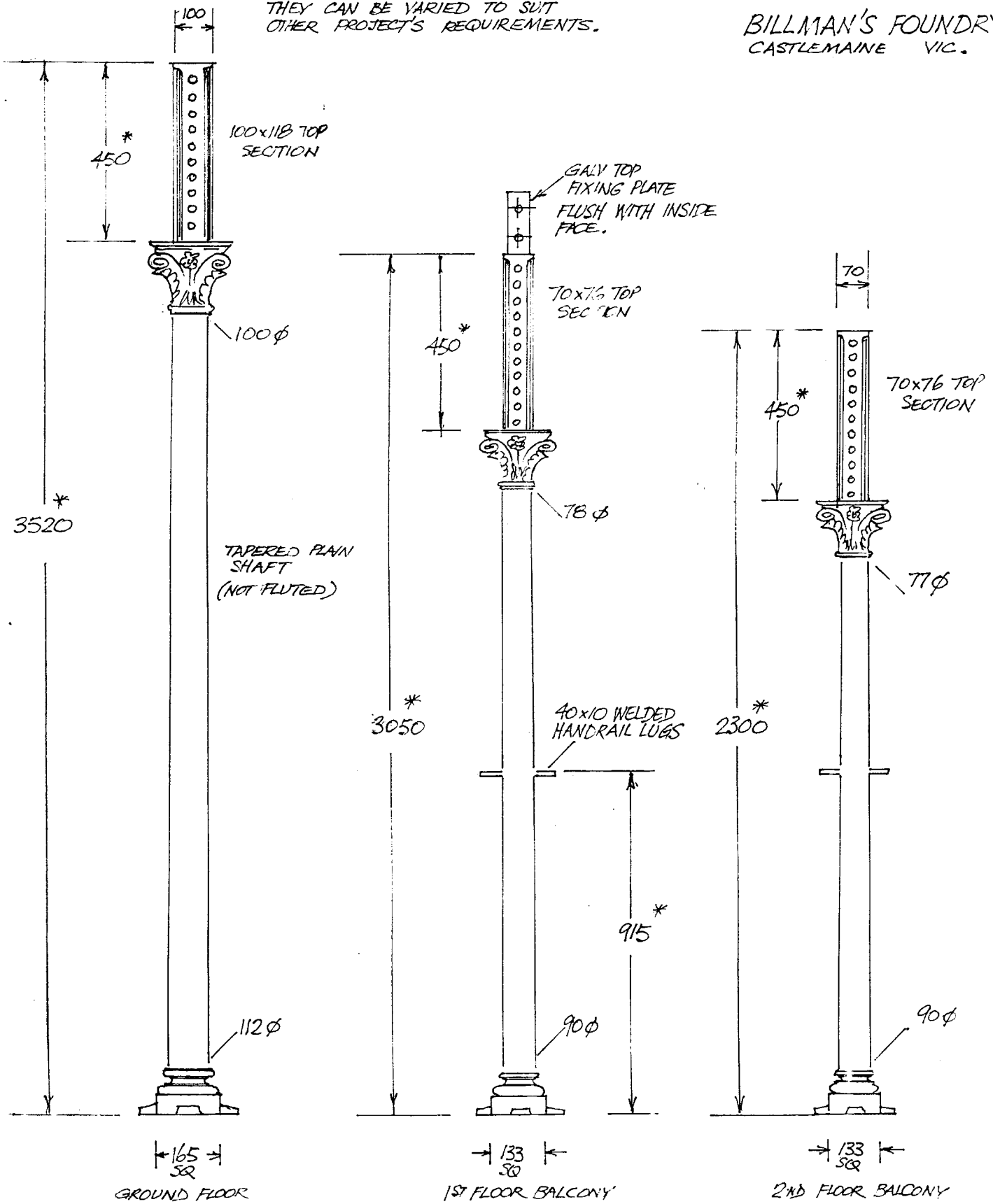


* SIZES SHOWN INDICATE EXISTING PATTERN BOARD CONFIGERATIONS.

THEY CAN BE VARIED TO SUIT OTHER PROJECT'S REQUIREMENTS.

BILLMAN'S FOUNDRY
CASTLEMAINE VIC.



THE MARINES COLUMNS

MAC FARLANE #130

MATERIAL - CAST IRON
OR CAST ALUMINIUM